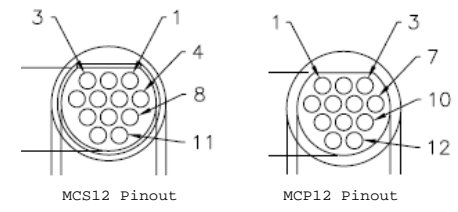
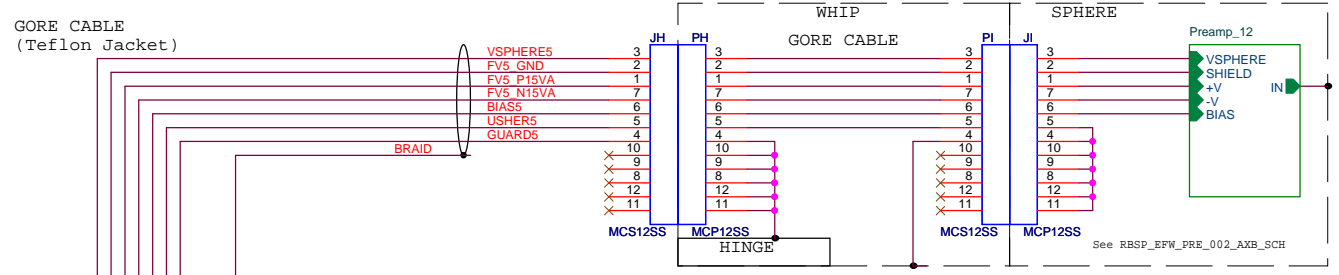


BOOM UNIT	5	6
JA	J501	J601
JB	J502	J602
JC	J503	J603
JD	J504	J604
JE	J505	J605
JF	J506	J606
JH	J507	J607
JI	J508	J608
JJ	J509	J609

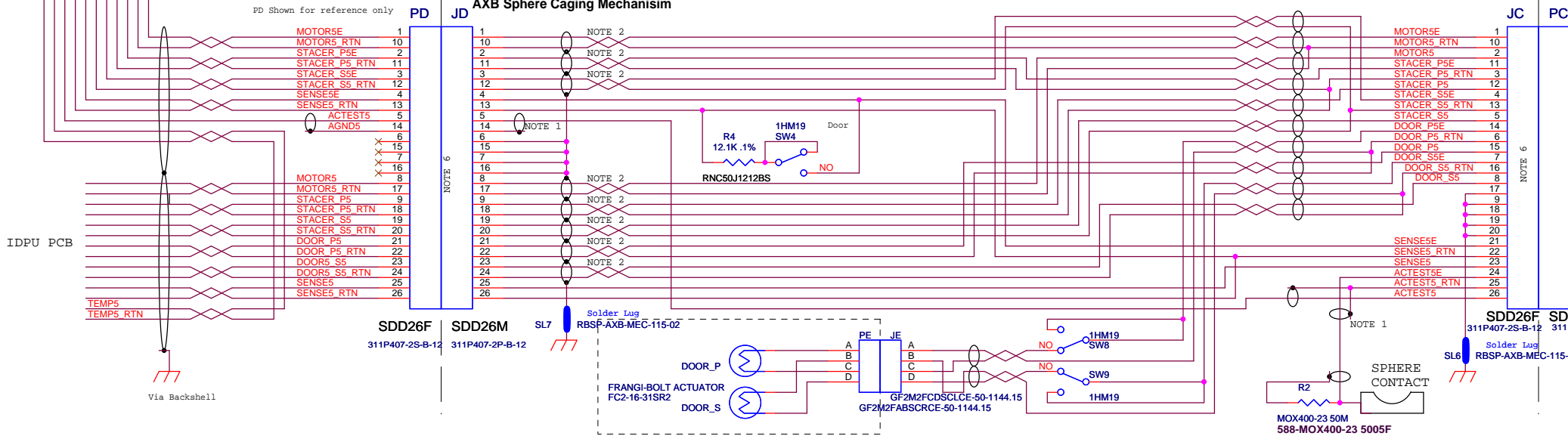
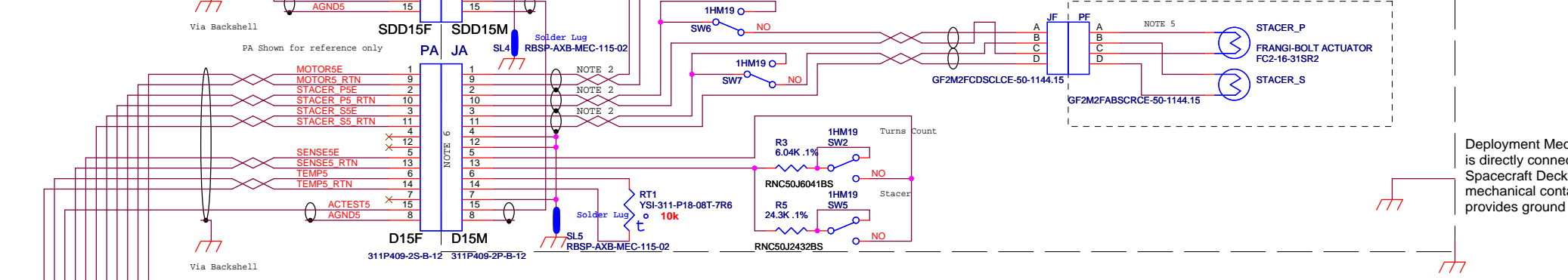
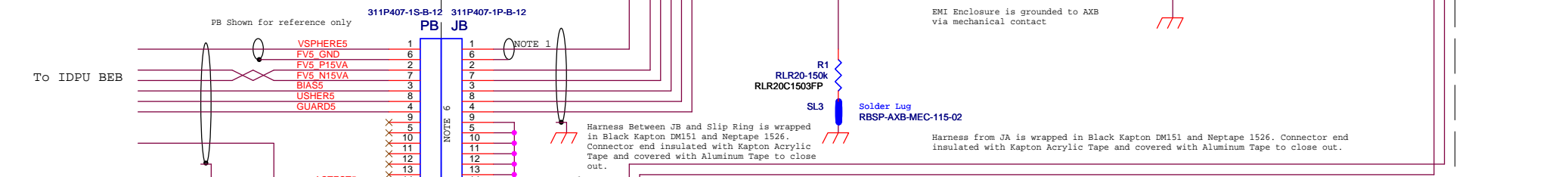
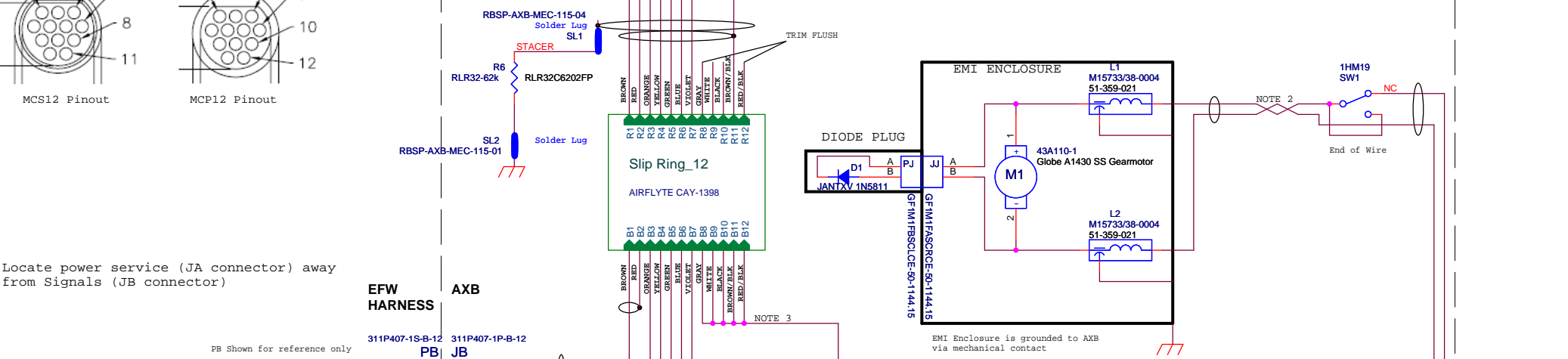
WIRING FOR BOOM UNIT 5 SHOWN



Locate power service (JA connector) away from Signals (JB connector)



- NOTES:
1. WIRE TYPE: Coax ESCC 3902.001.01.B3 Nexans 50CIS
 2. WIRE TYPE: #24 SHIELDED TW. PAIR, Thermax M27500-NE2S12 or Belden 83318E
 3. WIRE TYPE: AWG-24, EXCEPT AS NOTED M22759/44-24-9
 4. RING TERMINALS USED ON ALL CHASSIS GROUND CONNECTIONS
 5. This is the wire that comes already attached to the frangibolts.
 6. Crimp Contacts Used Part Number G10P1 (Standard Density Pins) & Part Number G10S1 (Standard Density Sockets) for JA; and Part Number G08P1 (High Density Pins) and Part Number G08S1 (High Density Sockets) for JB, JC and JD.



Deployment Mechanism is directly connected to Spacecraft Deck via mechanical contact which provides ground path.

NB: Flight Enable Plug is shown for reference. Refer to RBSP_EFW_AXB_047 for actual drawing of assembly.

RBSP EFW		Space Sciences Laboratory University of California Berkeley, CA 94720-7450
Axial Boom Unit Wiring		
Title	Document Number	Rev
C	RBSP_EFW_AXB_002	AC
Date:	Friday, May 21, 2010	Sheet 1 of 1