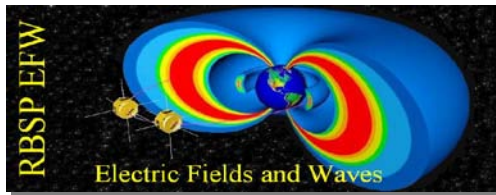


RBSP EFW LVPS 001
Low Voltage Power Supply (LVPS)
Specification
Version K

Michael Ludlam, U.C. Berkeley RBSP EFW Systems Engineer

Selda Heavner, U.C. Berkeley RBSP EFW IDPU Power Engineer



Document Revision Record

Rev.	Date	Description of Change	Approved By
-		Draft	-
B	2008-2-21	Separate BEB supply, change floater source	
C	2008-3-17	Use LDO for 3.3V, 1.5V. Update backplane, Remove switching regulator option. Add 2 more switches. Change 'Turns' to 'Switch Sense' inputs	
D	2008-7-8	Update Voltage, Current requirements. Also top level requirements updates per new IRD	
E	2008-8-12	5.5V->5V, various mods	
F	2008-9-10	Add another analog MUX for AXB temps, spares	
G	2008-12-29	Update deployment currents, LVPS currents	
H	2009-01-15	Update +/-225V peak current for saturated preamp	
I	2009-04-29	Updates to LVPS frequency, power numbers and mechanical design.	
J	2009-10-22	Updates to PCB Commands	
K	2011-01-01	Clean Up	

Distribution List

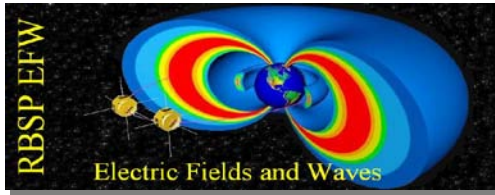
Name	Email (thm_backplane)
Keith Goetz, Project Manager, U.Min	goetz@umn.edu
Dorothy Gordon, UCB	dag@ssl.berkeley.edu
Peter Berg, UCB	pcb@ssl.berkeley.edu
Michael Ludlam, UCB	mludlam@ssl.berkeley.edu
Jane Hoberman, UCB	jch@ssl.berkeley.edu
Paul Turin, UCB	pturin@ssl.berkeley.edu
Bill Donakowski, UCB	billd@ssl.berkeley.edu

TBDs

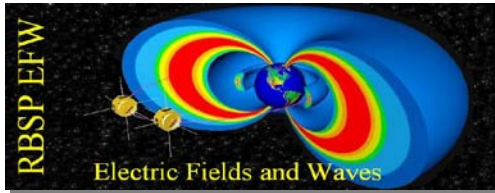
Identifier	Description

Reference Documents

Ref	Doc Number	Title
[1]	RBSP_EFW_SYS_004_Power	EFW Instrument Power Budget
[2]	RBSP_EFW_BEB_001	Boom Electronics Board Specification
[3]	RBSP_EFW_DFB_001	Digital Fields Board Specification
[4]	RBSP_EFW_DCB_001	Data Controller Board Specification
[5]	RBSP_EFW_PCB_001	Power Control Board Specification
[6]	RBSP_EFW_BPL_001	Backplane Specification
[7]	RBSP_EFW_BEB_001	Boom Electronics Board Specification
[8]	RBSP_EFW_SPB_001	SPB Specification
[9]	RBSP_EFW_AXB_001	AXB Specification
[10]	RBSP_EFW_HRN_001	Harness Specification
[11]	7417-9018	RBSP EMC Specification



[12]	RBSP_EFW_SYS_001	EFW Requirements Matrix
[13]	7417-9019	RBSP Environmental Requirements
[14]	7417-9096	RBSP EFW Compliance Matrix
[15]	RBSP_EFW_BPL_001	IDPU Backplane Specification



1 Overview

The RBSP EFW IDPU Low Voltage Power Supply (LVPS) generates from the 28 Volt Spacecraft Power input the various potentials used by the RBSP EFW instrument. The regulated voltages shall be pwm regulated to $\pm 1\%$, the voltages regulated by similarity shall be to $\pm 5\%$. The output ripples shall be 10 mV RMS except for the +/- 225V supply and floating +/-15V supplies, which shall be filtered to $14\mu\text{V RMS}$ 10Hz-10KHz, and $0.4\mu\text{V RMS}$ 10KHz-100KHz. Some voltages, as listed below, are regulated on a 'Not less than' basis. The monitor ranges shall be +/- 2.5V full scale for each monitored voltage or current. Each power supply shall be current limited on its primary side. Each supply is galvanically isolated primary to secondary with no less than a total of 1Mohm resistance between them.

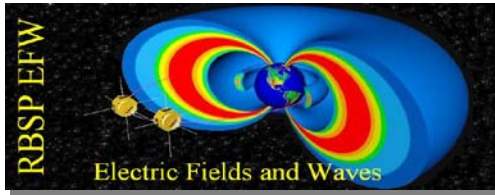
The frequency of the IDPU and BEB converters shall be greater or equal to 199.5 kHz, the frequency of the Floater converters shall be 399kHz. They all shall be synchronized to a common crystal-controlled clock generated on the DCB and provided over the backplane as an 799kHz clock 0-5V with approximately 50% duty cycle. If the synchronization signal is absent the converters shall continue to operate using an on board 799kHz crystal oscillator, 0-5V, 50% duty cycle.

The input from the 28 Volt Spacecraft power shall be soft started and filtered to meet EMI requirements of ref [11].

1.1 Primary Requirements

Primary EFW requirements can be found in ref[12]. Those related to the LVPS include:

ID	Req. Title	Subject	Priority	Requirement Body or Section Heading
EFW-61	EFW Power Control	Each EFW IDPU	shall	contain circuitry to open SPB and AXB doors and deploy sensors
EFW-62	EFW Low Voltage Conversion	Each EFW IDPU	shall	contain circuitry to provide voltages to IDPU boards using the S/C-provided 28Volts
EFW-63	EFW Main Power Allocation	Each EFW Suite	shall	not exceed the total power of 11.16 W from the EFW Main 28V Service
EFW-64	EFW Main Power In-Rush	Each IDPU	shall	not exceed ICD values as follows: 10A for 100 usec; 5A for 100us to 1ms 2.5A after 1ms
EFW-65	EFW Main Power Max Voltage	Each IDPU	shall	tolerate without damage a maximum input voltage of 40V indefinitely as defined in the ICD
EFW-75	EFW IDPU Operational Temp Range	The EFW IDPU	shall	perform as designed from -25 to +55C
EFW-78	EFW IDPU Survival Temp Range	The EFW IDPU	shall	survive without damage from -30 to +60C
EFW-88	EFW IDPU ICD Compliance	The EFW IDPU	shall	comply with the requirements and constraints imposed by all relevant instrument-to-spacecraft interface control documents (ICDs).
EFW-98	EFW Illegal Power States	The EFW IDPU	shall	not be damaged by the application of boom power while the Main power is Off.
EFW-99	EFW SPB Deployment Enable	The EFW IDPU	shall	not deploy SPB booms or fire SPB actuators without the SPB and Main



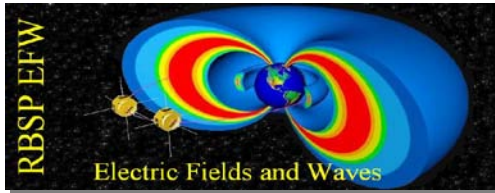
				power ON.
EFW-100	EFW AXB Deployment Enable	The EFW IDPU	Shall	not deploy AXB booms or fire AXB actuators without the AXB and Main power ON.
EFW-101	EFW Boom Pair Redundancy	The EFW IDPU	shall	have separate supplies for each preamp boom axis
EFW-102	EFW Safing by subsystem	The EFW IDPU	shall	continue to provide EMFISIS with E-Field signals on failure of DCB or DFB
EFW-131	EFW Initial Power On/Reset State	The EFW IDPU	shall	power up in a nominal condition for measuring E-Fields without processor intervention.
EFW-133	EFW Compliance with EM Environment Control Plan	The EFW Suite	shall	comply with the requirements and constraints imposed by the RBSP Electromagnetic Environment Control Plan, APL document no. 7417-9018.
EFW-136	Instrument Compliance with Environmental Design and Test Requirements Document	Each EFW Instrument	shall	comply with the requirements and constraints imposed by the RBSP Environmental Design and Test Requirements Document, APL document no. 7417-9019.
EFW-137	EFW Quality Assurance	The EFW Suite	shall	comply with the RBSP Performance Assurance Implementation Plan, as modified by the Compliance Matrix

2 Specific Output Voltage Requirements

The following section details the output voltages and the characteristics of the supply. Figure 2.1 shows the voltages and nominal current requirements of the EFW system as detailed in reference [1] (refer to reference 1 for the most recent values). The LVPS shall be capable of generating peak current consumption on each supply. At power levels above the peak indicated the supply should limit. The LVPS shall produce these voltages under all environmental conditions and maintain at least a 60% efficiency ratio at average current consumption (except 225V supply, which shall have at least 25% efficiency). Power numbers for each supply (along the bottom) are on the secondary). Power numbers on the right are on the primary (including the LVPS efficiency factors).

Calc by Voltage	Voltages																			
	+5V D	+1.8V D	+3.6D (1)	+5V A	-5V A	+10VA	-10VA	+5V D	+10V A	-10V A	+225V	-225V	+/-15F1	+/-15F2	+/-15F3	+/-15F4	+/-10F5	+/-15F6		
Pwr	IDPU									BEB										
10.329	5	1.8	3.6	5	5	10	10	5	10	10	225	225	30	30	30	30	30	30	VOLTAGES	
Avg	0.010	0.440	0.238	0.068	0.081	0.042	0.036	0.003	0.055	0.050	0.0013	0.0003	0.006	0.006	0.006	0.006	0.006	0.006	CURRENT	
	0.05	0.79	0.86	0.34	0.41	0.42	0.36	0.02	0.55	0.50	0.29	0.07	0.17	0.17	0.17	0.17	0.17	0.17	POWER	
16.974	5	1.8	3.6	5	5	10	10	5	10	10	225	225	30	30	30	30	30	30	VOLTAGES	
Peak	0.018	0.753	0.556	0.102	0.121	0.077	0.058	0.005	0.055	0.053	0.0056	0.0056	0.009	0.009	0.009	0.009	0.009	0.009	CURRENT	
	0.09	1.36	2.00	0.51	0.60	0.77	0.58	0.02	0.55	0.53	1.25	1.25	0.28	0.28	0.28	0.28	0.28	0.28	POWER	

Figure 2.1. Power Supply Voltage and Currents (From RBSP_EFW_SYS_004J)



2.1 IDPU POWER

Upon application of 28VDC to the input pins, the LVPS shall provide +1.8VD, +3.6VD, +5 VD, ± 5 VA, ± 10 VA to run the DCB, DFB, and PCB cards. The input current shall be limited and monitored and reported to the DCB. The +5VD, and +5 VA will be regulated; the other voltages will be regulated by similarity..

The +1.5VD and +3.3VD required by the DCB and DFB are generated from +1.8VD and +3.6VD (not less than 1.8V and 3.6V at peak current, worst case conditions) supplies on the DCB and DFB cards using MS Kennedy LDO linear regulators. The LDOs will be located on the DCB and DFB boards. Current consumption on those boards is:

Board Currents	3.3V Average	3.3V Peak	1.5V Average	1.5V Peak
DCB	169mA	391mA	250mA	373mA
DFB	60mA	118mA	190mA	380mA

Figure 2-3 Remote Switching Regulator Requirements

2.2 BEB POWER

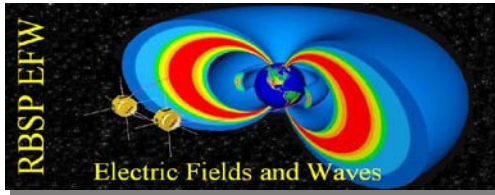
The LVPS shall provide +5 Volts Digital, ± 10 Volts, and ± 225 Volts to be used by the BEB board. The input current shall be limited and monitored and reported to the DCB. The +5V analog supply is regulated and supplies power to the floating voltage supplies; the other analog voltages will be regulated by similarity. The +5Volt Digital supply is used on the BEB to run digital logic and as the load is low the supply can be made from an LDO regulator if necessary. The BEB supply shall continue to operate nominally even if the IDPU Power supply fails. The +/-225 V supply is separate from the +/-10V supply.

The peak load on the +/-225V supply results from a capacitive load driven by an amplifier powered by the +/-225V supply. The worst case load takes 5.6mA peak on either supply at 100Hz. The cycle-averaged current on each supply is significantly lower, so power supply filtering can reduce this load if it can level the load at 100Hz.

2.3 Floating Voltages

The LVPS shall provide for the fields instrument three pairs of ± 15 Volt sets, each set of ± 15 with its separate return. Each pair shall be current monitored. Floating ground can be biased between +/-225V on the BEB board. These voltages are derived from a BEB secondary voltage. The Floating Voltages shall continue to operate nominally even if the IDPU Power supplies fail.

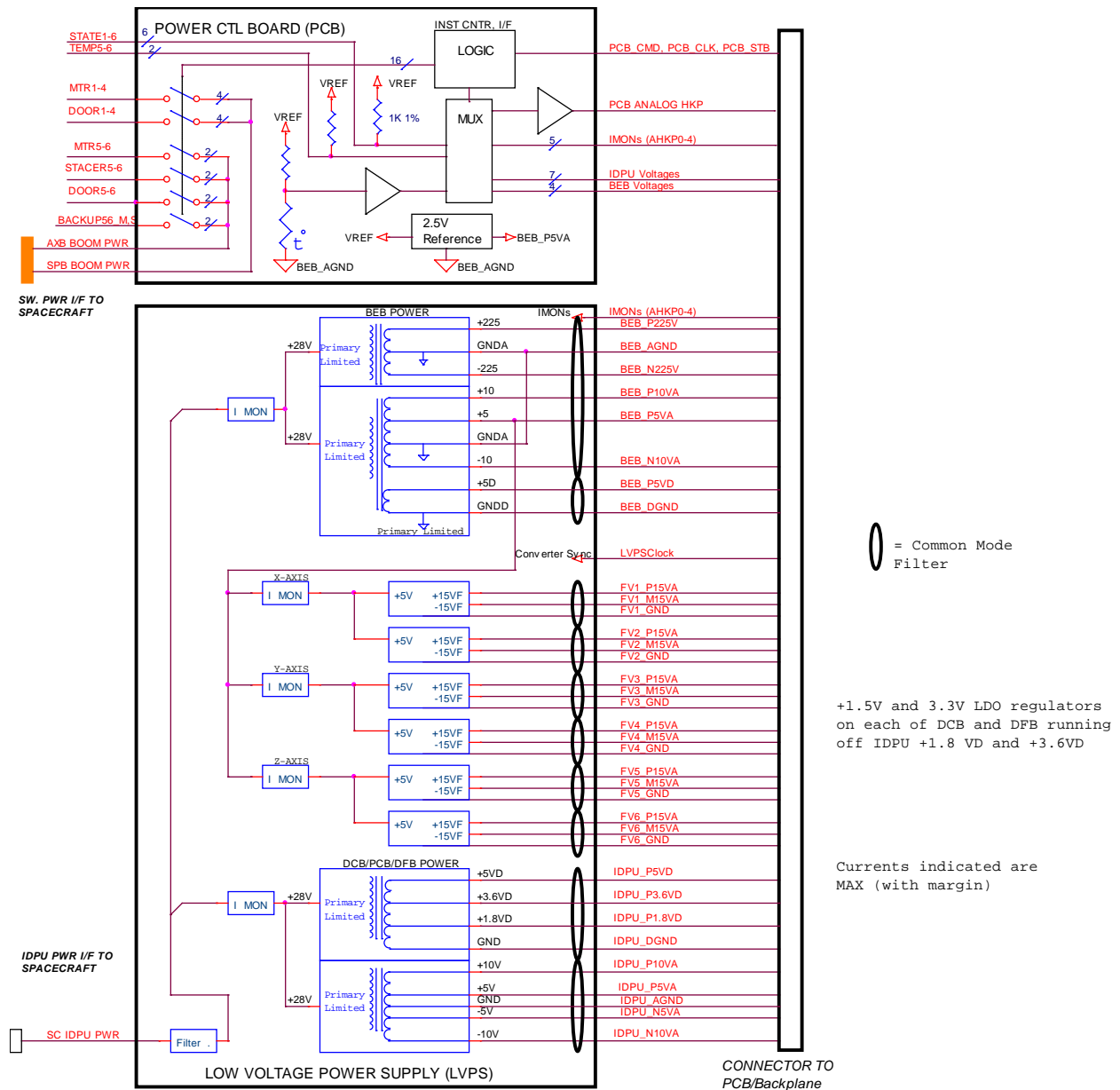
The 225V supply should be preceded by the floating supplies.

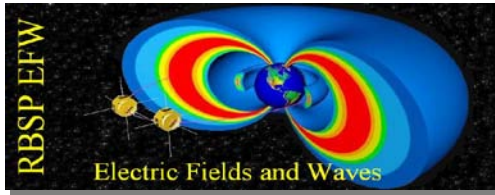


3 Block Diagram

Figure 3.1 shows an overview of the main components comprising the LVPS and the PCB. The LVPS resides on a 6U VME board. It connects to the backplane via a Hypertronics 80-pin connector mounted edgewise, facing upwards. Power is distributed through the backplane connection, but received from the spacecraft via a front panel male D connector. Another front panel connector takes switched deployment power and returned status signals to the boom units. The PCB is housed on the same board as the LVPS.

Figure 3.1: LVPS and PCB Block Diagram





The nominal PCB logic schematic is shown in figure 3.2

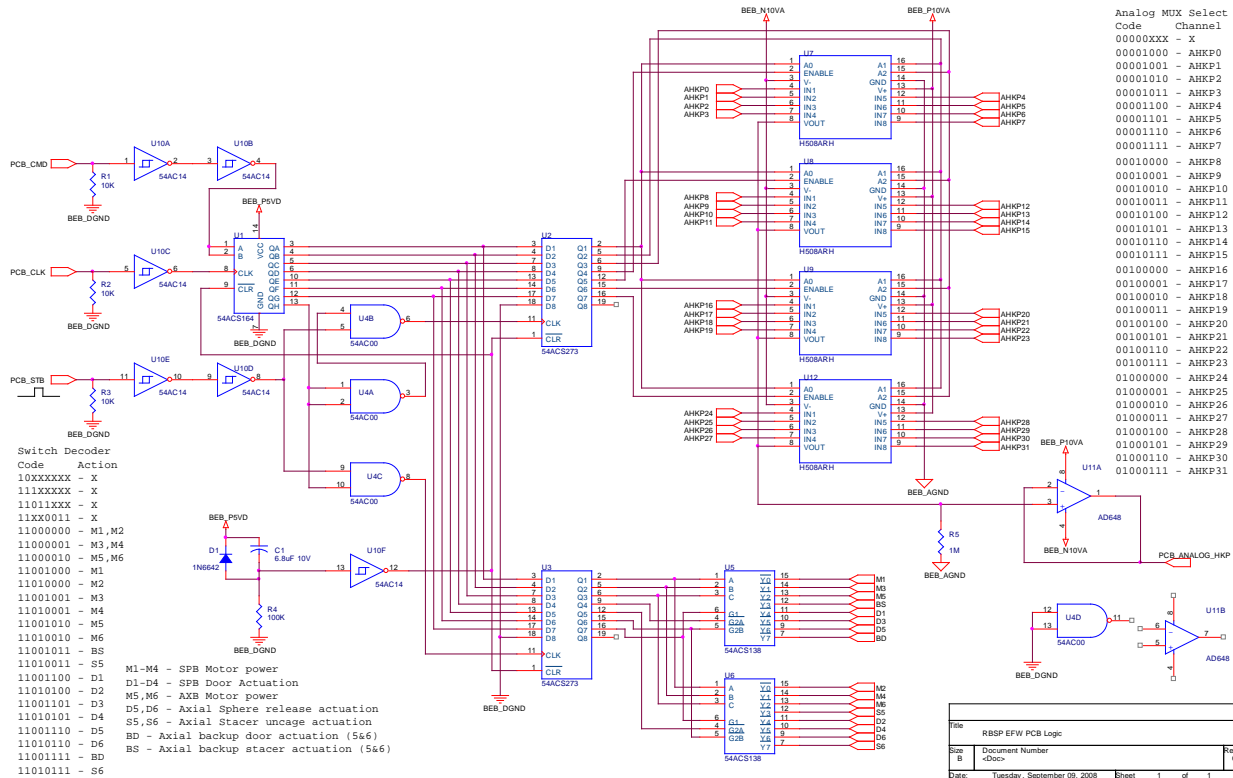


Figure 3.2 PCB Logic; switch and analog multiplexer control

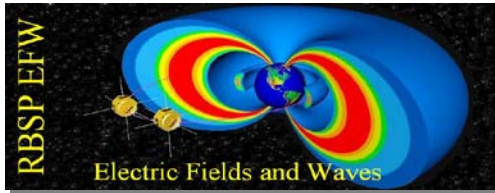
4 Commands

The LVPS receives digital commands from the DCB via the backplane. These commands are shifted in serially and latched in parallel. The DCB shall provide PCB_CMD, PCB_CLK, and PCB_STB signals. These signals are received by inverting buffers with hysteresis (54AC14) and a pull-down resistor. Their idle state should be low. Data is shifted in on the falling edge of PCB_CLK, with PCB_CMD being shifted into Bit 0, Bit 0 shifting into Bit 1, etc. Eight data bits are shifted in. Data is transferred from the shift register to the control latch on the falling edge of PCB_STB (which should be a positive-going pulse) after the data is shifted in. There are two latches – one controls the power switches and one the analog housekeeping MUX. The state of the MSB of the data word selects which word is latched; the other latch is not affected. If the MSB is zero, the Analog Housekeeping MUX is set. If the state is one, the switch register is set. When one register is set the state of the other register is not affected.

The registers shall default to zero on power on.

4.1 Power Switch Register

The power switch register controls which of the power switches is enabled. Table 4.1 lists the command words associated with the various switch combinations. Following the receipt of the commands listed below only the indicated services will be powered.



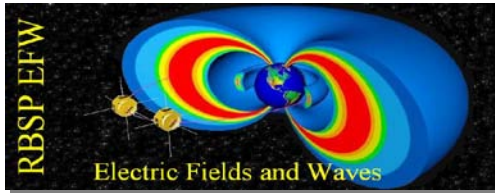
Command	Switch Name	Switch Function	Peak Current, Amps
0x80	IDLE	No switch actuated (power-on default)	0
0xC0	M1M2	SPB Units 1 and 2 Motors ON	3.0
0xC1	M3M4	SPB Units 3 and 4 Motors ON	3.0
0xC2	M5M6	AXB Units 1 and 2 Motors ON	3.0
0x D0	M1	SPB Unit 1 Motor ON	1.5
0x C8	M2	SPB Unit 2 Motor ON	1.5
0x D1	M3	SPB Unit 3 Motor ON	1.5
0x C9	M4	SPB Unit 4 Motor ON	1.5
0x D2	M5	AXB Unit 1 Motor ON	1.5
0x CA	M6	AXB Unit 2 Motor ON	1.5
0x D4	D1	SPB Unit 1 Door Actuator ON	1.9
0x CC	D2	SPB Unit 2 Door Actuator ON	1.9
0x D5	D3	SPB Unit 3 Door Actuator ON	1.9
0x CD	D4	SPB Unit 4 Door Actuator ON	1.9
0x D6	D5	AXB Unit 1 Sphere Release Actuator ON	1.2
0x CE	D6	AXB Unit 2 Sphere Release Actuator ON	1.2
0x CB	S5	AXB Unit 1 Stacer Release Actuator ON	1.2
0x CF	S6	AXB Unit 2 Stacer Release Actuator ON	1.2
0x D3	BS	AXB Unit 1 and 2 Stacer Release Actuators ON (Backup)	2.3
0x D7	BD	AXB Unit 1 and 2 Sphere Release Actuators ON (Backup)	2.3

Table 4.1 PCB Switch Commands

5 Analog Housekeeping

Table 5.1 provides the Analog HKP on the PCB. All outputs shall be scaled to be between -2.5V and +2.5V. No offset need be applied – a monitor value of zero shall typically be zero after scaling. .

Command	HKP Channel #	HK Name	HK Function
0x00	-	Ground	No channel selected (power-on default)
0x08	AHKP0	IMON_IDPU	IDPU ANALOG AND DIGITAL PRIMARY CURRENTS
0x09	AHKP1	IMON_BEB	BEB ANALOG PRIMARY CURRENTS
0x0A	AHKP2	IMON_FVX	FVX PRIMARY CURRENT
0x0B	AHKP3	IMON_FVY	FVY PRIMARY CURRENT
0x0C	AHKP4	IMON_FVZ	FVZ PRIMARY CURRENT
0x0D	AHKP5	VMON_BEB_P10VA	BEB +10 VA VOLTAGE MONITOR
0x0E	AHKP6	VMON_BEB_N10VA	BEB -10 VA VOLTAGE MONITOR
0x0F	AHKP7	VMON_BEB_P5VA	BEB +5 VA VOLTAGE MONITOR (Runs floaters)
0x10	AHKP8	VMON_BEB_P5VD	BEB +5 VD VOLTAGE MONITOR
0x11	AHKP9	VMON_IDPU_P10VA	IDPU +10 VA VOLTAGE MONITOR
0x12	AHKP10	VMON_IDPU_N10VA	IDPU -10 VA VOLTAGE MONITOR
0x13	AHKP11	VMON_IDPU_P5VA	IDPU +5 VA VOLTAGE MONITOR
0x14	AHKP12	VMON_IDPU_N5VA	IDPU -5 VA VOLTAGE MONITOR
0x15	AHKP13	VMON_IDPU_P5VD	IDPU +5 VD VOLTAGE MONITOR
0x16	AHKP14	VMON_IDPU_P3.6VD	IDPU +3.6 VD VOLTAGE MONITOR



0x17	AHKP15	VMON_IDPU_P1.8VD	IDPU +1.8 VD VOLTAGE MONITOR
0x20	AHKP16	TMON_LVPS	LVPS Temperature Monitor
0x21	AHKP17	SPARE	
0x22	AHKP18	STATE1	SPB1 Deployment Switch Status
0x23	AHKP19	STATE2	SPB2 Deployment Switch Status
0x24	AHKP20	STATE3	SPB3 Deployment Switch Status
0x25	AHKP21	STATE4	SPB4 Deployment Switch Status
0x26	AHKP22	STATE5	AXB5 Deployment Switch Status
0x27	AHKP23	STATE6	AXB6 Deployment Switch Status
0x40	AHKP24	SPARE	
0x41	AHKP25	SPARE	
0x42	AHKP26	SPARE	
0x43	AHKP27	SPARE	
0x44	AHKP28	TMON_AXB5	AXB5 temperature monitor
0x45	AHKP29	TMON_AXB6	AXB6 temperature monitor
0x46	AHKP30	SPARE	
0x47	AHKP31	SPARE	

Table 5.1. Analog Housekeeping Returned by LVPS/PCB

The STATE signals shall each be pulled up to a 2.5V reference signal via 6.04Kohm 0.1% resistor on the PCB. They are pulled to ground by switches to be monitored in the boom units via different resistor values such that the value of the STATE analog housekeeping measurement tells the system which switches are closed.

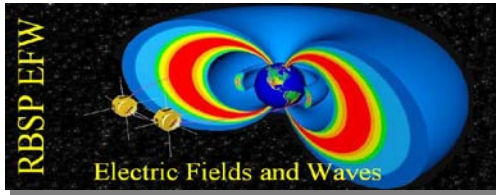
The TMON_LVPS, TMON_AXB5, and TMON_AXB6 signals are generated by a YSI thermistor, pulled up to the 2.5V reference by a 10k resistor.

6 LVPS Connectors

The LVPS/PCB is housed in the bottom of the IDPU and connected to the other IDPU boards by a single backplane KA80.1-pin connector. The connector to the SC Spacecraft is fitted onto the front panel. The input connector is a 311P409-1P-B-12, the output connector is a Hypertronics KA80.1/127CPFC10TABH. The connector pinout is specified in RBSP_EFW_BPL_001. Note that some of the spare signals are terminated in the LVPS, as indicated in that document. The boom deployment and boom status signals leave the board on a HD62S connector (311P407-2S-B-12) also housed on the front panel.

7 Packaging

The LVPS will conform to the dimensions as shown in the following figures, more detail can be found in RBSP-IDP-MEC-002.



RBSP EFW LVPS 001 Rev K

