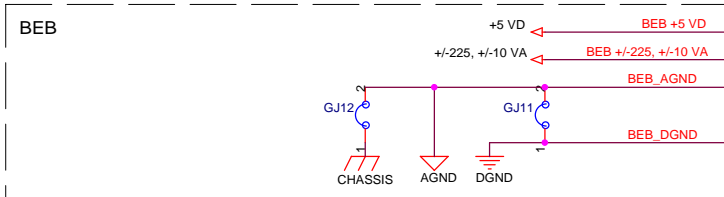


Jumpers should provide low-inductance paths to the grounds (not long traces, preferably directly to ground plane)

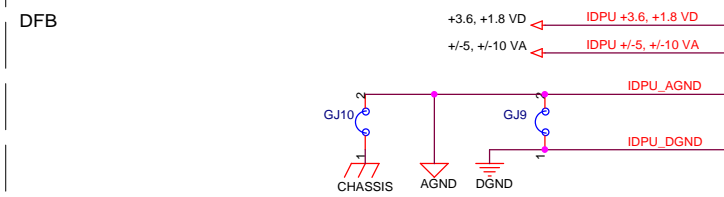
Jumper pads should be compatible with installing a shorting wire, resistor or back-to-back diodes between grounds

Connections to Chassis Ground should be made to front panel and rails for BEB, DFB, and DCB

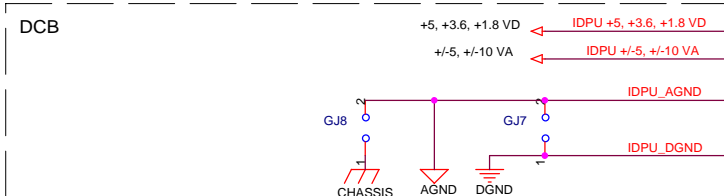


BACKPLANE

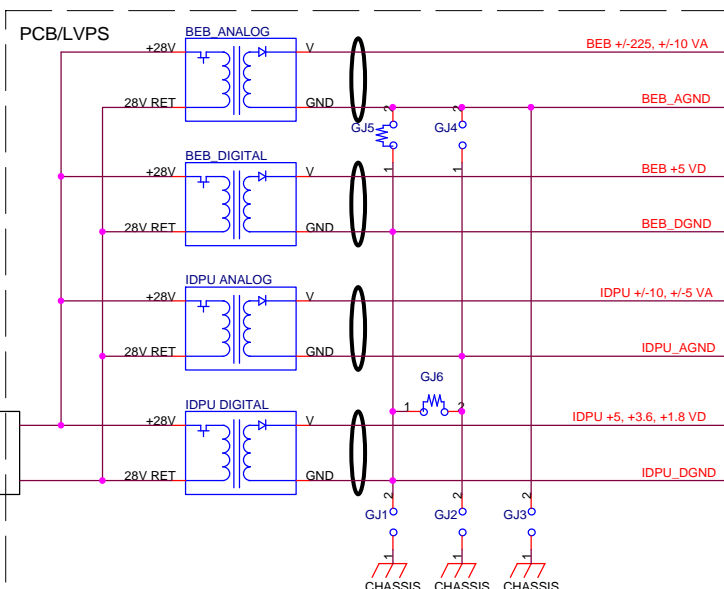
BEB Defaults is GJ11 and GJ12 Shorted. GJ11 should be located near BEB DACs



DFB default is GJ9 and GJ10 Shorted. GJ9 should be located near DFB ADC



DCB default is GJ7 and GJ8 OPEN. GJ7 should be located near DCB ADC



PCB/LVPS Default is all jumpers open except GJ5 and GJ6 have 1Kohm resistors installed



Title		
RBSP EFW IDPU Internal Grounding		
Size	Document Number	Rev
B	RBSP_EFW_SYS_007_IDPUGrounds	A
Date:	Wednesday, March 26, 2008	Sheet 1 of 1